

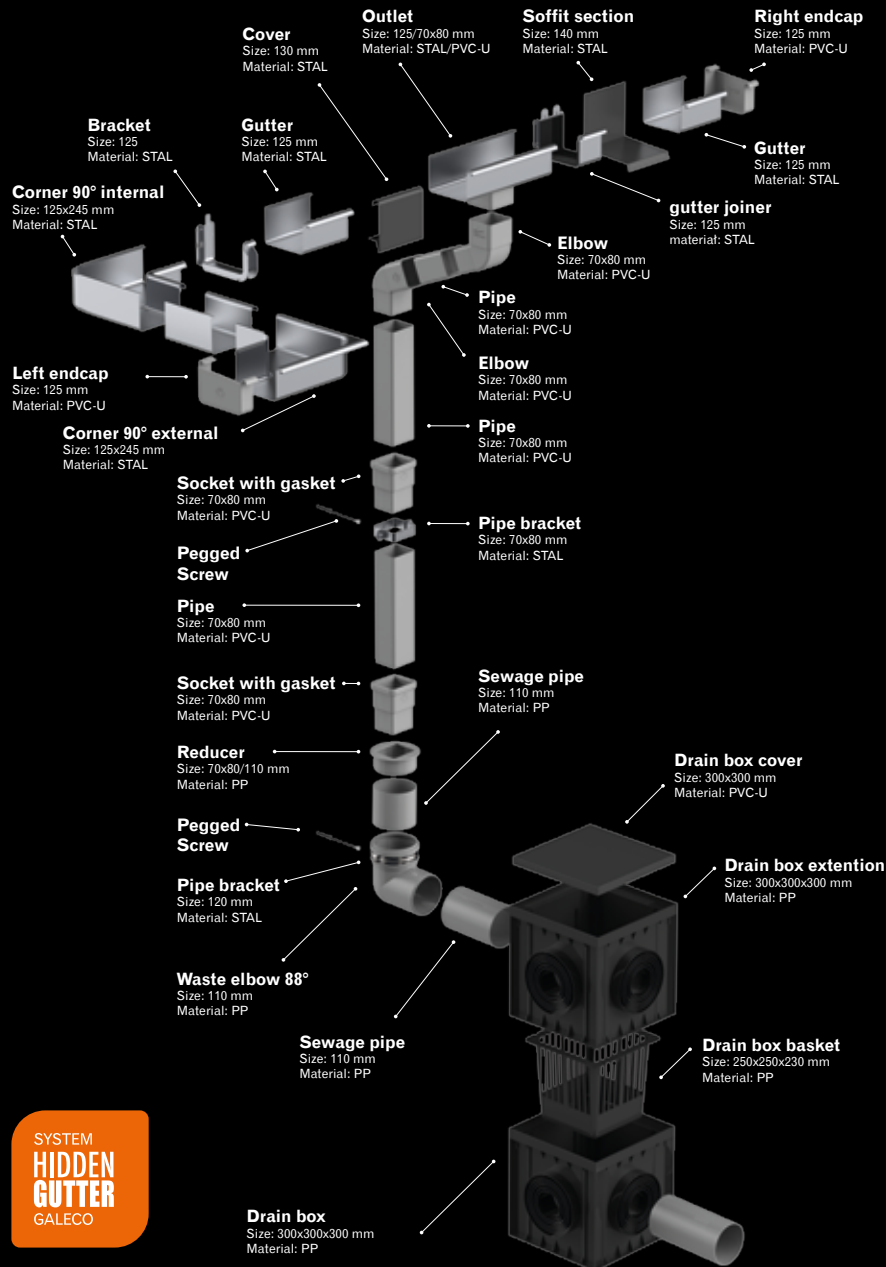


Award of International  
Construction and Architecture Fair **budma** 2015



# The Galeco HIDDEN Gutter System

# The Galeco HIDDEN Gutter System is dedicated for installation in buildings without traditional eaves



## — Advantages of the system:



**Quick assembly and disassembly of the cover enables access to the gutter**

It enables access to the gutter, thanks to which cleaning of the system is possible at all times.



**Assembly in the building thermal insulation thanks to 100% tightness of the system**

When fitted properly, the hidden gutter system is completely safe, that is there is no risk of its leaking.



**Rectangular shape of the pipe**

Optimally adapted for installation in the facade, and, additionally, provides greater efficiency.





**Support for architects in the form of a CAD base**

Our goal is to streamline the work of the architects, which is why we provide them with CAD drawings, which facilitate incorporation of the system into the design.

SYSTEM  
**HIDDEN  
GUTTER**  
GALECO

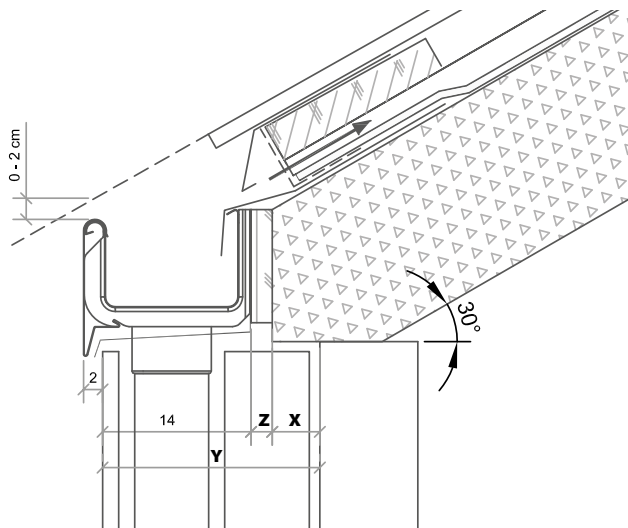
## — Colours

Depending on the roofing or the facade, we offer 12 colours of the cover.  
On request, the covers can be painted in any colour from the RAL palette.

RAL	Kolor		Material	
~ RAL 7015	Graphite	A	STAL	
~ RAL 9005	Black	B	STAL	

We lacquer gutter masks on any colour from the RAL palette.  
Price and due date to be arranged individually with sales department.

## — Calculating the protrusion of rafter



$$X = Y - 14 - Z$$

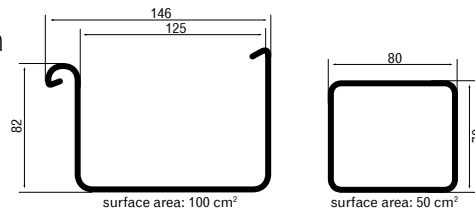
X [cm] - distance the protrusion of rafter inside the cavity for downpipe

Y [cm] - insulation thickness+ elevation finish

Z [cm] - front board thickness

16 [cm] - width from the cover front to the rear surface of bracket

## — Information about the size

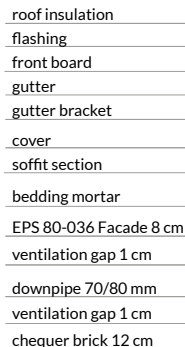


## — Cross-section of a joint between the gutter and the downpipe

### Facade made of cladding panels



### Brick facade





## Galeco Rainwater Technology

We provide patented technologies, new-generation innovative solutions and attention to the smallest details.

### Welcome to Galeco Rainwater Technology.

We design, manufacture and distribute professional water channelling systems.

Over ten years of experience and presence in European markets gives us a guarantee of providing our customers with ground-breaking, innovative and top-quality solutions.

We continuously reach new markets with our offer, offering systems which are highly valued by exacting customers. Galeco is one of the best-recognized brands in its sector and a guarantee of an appropriate choice. We are a reliable business partner, to whom both domestic and foreign investors have trusted.



### Galeco Sp. z o. o., ul. Uśmiechu 1, 32-083 Balice

[www.galeco.pl](http://www.galeco.pl), [galeco@galeco.pl](mailto:galeco@galeco.pl)

[www.galeco.info](http://www.galeco.info), [export@galeco.eu](mailto:export@galeco.eu)

infoline: **801 623 626\***

IF YOU HAVE ANY COMMENTS REGARDING OUR PRODUCTS, PLEASE SEND THEM TO OUR E-MAIL ADDRESS: [produkt@galeco.pl](mailto:produkt@galeco.pl)

Galeco Sp. z o. o. ul. Uśmiechu 1, 32-083 Balice near Krakow, District Court for Krakow-Srodmiemie in Krakow, XI Commercial Department of the National Court Register, KRS 0000102185, NIP 679-25-94-371.

This leaflet is not an offer within the meaning of the commercial code. Actual colours of the products may vary from those presented herein.

\* Call cost as for a local call.



Trust secure solutions.